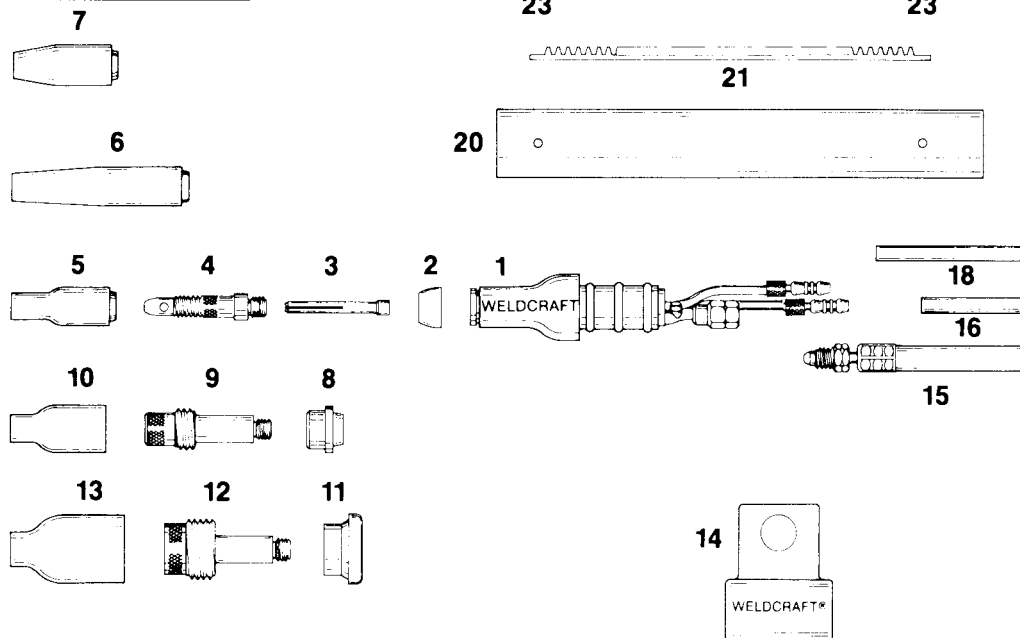


**ACCESSORY KIT - AK-3**  
**CABLE COVERS - WC-3-10, WC-3-22**  
**EXTENSION KIT - EK-1-25**  
**HOOK-UP KIT - HK-1, QHK-1 (QCS)**  
**QUICK CONNECT - ADD Q IN FRONT**  
**OF TORCH PACKAGE OR CABLE #**



ITEM NO.	STOCK NO.	DESCRIPTION	ITEM NO.	STOCK NO.	DESCRIPTION
1	WP-18P	Torch body, includes cup gasket (180°)	16	-	Water Hose
2	18CG	Cup Gasket	18	-	Gas Hose
3	-	Collet (See chart A)	20	18PB	40V74 12½ ft. (3.8m), 40V74R
4	-	Collet body (See chart A)	20	18PBWH	41V32 25 ft. (7.6m), 41V32R
5	-	Alumina nozzle (See chart B)	18	-	Gas Hose
6	-	Long lava nozzle (See chart B)	20	18PB	40V75 12½ ft. (3.8m), 40V75R18
7	-	Lava nozzle (See chart B)	21	18R32	41V30 25 ft. (7.6m), 41V30R18
8	54N01	Insulator	22	18R24	Rack, 24 pitch (optional)
9	-	Gas lens (see chart A)	23	18R-1	Screw (2 required)
10	-	Alumina gas lens nozzle (See chart B)	20	18PB	Barrel (10" lg. X 1⅜" dia.) With screwholes
11	54N63	Lg. Diameter gas lens insulator	20	18PBWH	Barrel without screwholes
12	-	Lg. Diameter gas lens (See chart A)	21	18R32	Rack, 32 pitch (optional)
13	-	Lg. Diameter gas lens nozzle (See chart B)	22	18R24	Rack, 24 pitch (optional)
14	45V11	Power cable adapter	23	18R-1	Screw (2 required)
15	-	Power cable			
		40V64P 12½ ft. (3.8m), 40V64PR			
		41V29P 25 ft. (7.6m), 41V29PR			
					<b>Cable Repair Kits</b>
					ZCRK18 Power cable repair kit
					ZHRKG18 Gas hose repair kit
					ZHRKW18 Water hose repair kit

**CHART A • COLLETS • COLLET BODIES • GAS LENS**

Electrode Diameter	.020 (.5mm)	.040 (1mm)	1/16 (1.6mm)	3/32 (2.4mm)	1/8 (3.2mm)	5/32 (4.0mm)
Collet	10N21	10N22	10N23	10N24	10N25	54N20
Collet Body	10N29	10N30	10N31	10N32	10N28	406488
Gas Lens	45V29	45V24	45V25	45V26	45V27	45V28
Lg. Dia. Gas Lens		45V0204	45V116	45V64	995795	45V63

Water cooled torches require cooling water flow of 1 quart (.94 liter) to 1½ quarts (1.4 liters) per minute at a maximum of 50 PSI pressure.

**CHART B • GAS NOZZLES • HPN - HIGH PERFORMANCE NOZZLES AVAILABLE**

SIZE	4	5	6	7	8	10	12	SHORT
Alumina	10N50	10N49	10N48	10N47	10N46	10N45	10N44	-
Alumina Gas Lens	54N18	54N17	54N16	54N15	54N14	-	-	54N19*
Lg. Dia. Gas Lens	-	-	57N75	-	57N74	53N88	53N87	53N89*
Long Alumina	-	10N49L	10N48L	10N47L	-	-	-	-
Long Gas Lens	-	54N17L	54N16L	54N15L	-	-	-	-
Lava	105Z43	105Z42	105Z44	105Z45	08N78	08N79	08N80	-
Long Lava	12N03	105Z60	12N02	105Z61	-	-	-	-

\*Not recommended for use with high frequency current.