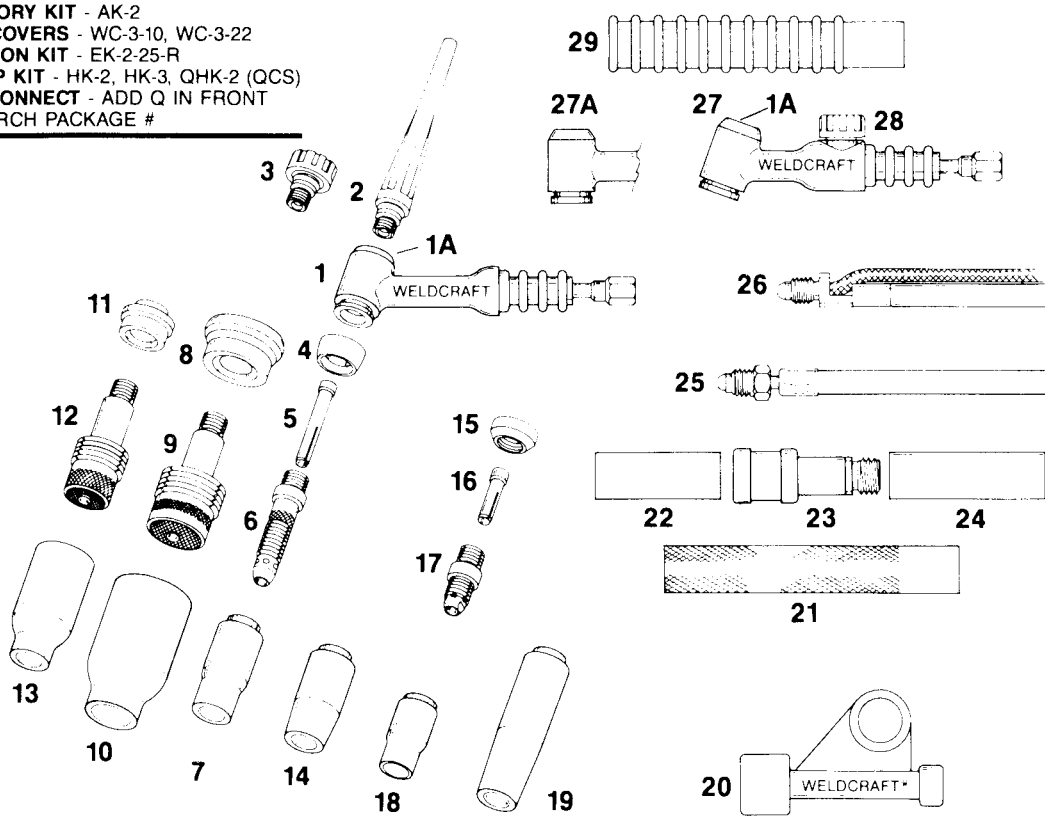


**ACCESSORY KIT - AK-2**  
**CABLE COVERS - WC-3-10, WC-3-22**  
**EXTENSION KIT - EK-2-25-R**  
**HOO-K-UP KIT - HK-2, HK-3, QHK-2 (QCS)**  
**QUICK CONNECT - ADD Q IN FRONT OF TORCH PACKAGE #**



ITEM NO.	STOCK NO.	DESCRIPTION	ITEM NO.	STOCK NO.	DESCRIPTION
1	WP-17	Torch body, includes cup gasket (70°)	21	H-100	Handle (smooth, optional)
1A	18-7	Insert	22	V-92-1	Front handle
2	57Y02	Long back cap, includes 98W18 O-ring	23	V-92-2	Valve body Not sold separately
3	57Y04	Short back cap, includes 98W18 O-ring	24	V-92-3	Rear handle
4	18CG	Cup gasket		V-92	Valve assy. Includes items 22, 23, 24
5	-	Collet (See chart A)	25	-	Power cable - 1 piece
6	-	Collet body (See chart A)			57Y01 12½ ft. (3.8m) vinyl
7	-	Alumina nozzle (See chart B)			57Y03 25 ft. (7.6m) vinyl
8	54N63	Large diameter gas lens insulator			57Y01R 12½ ft. (3.8m) rubber
9	-	Large diameter gas lens (see chart A)			57Y03R 25 ft. (7.6m) rubber
10	-	Lg. Diameter gas lens nozzle (See chart B)	26	-	Power cable - 2 piece Gas hose only
11	54N01	Gas lens insulator			57Y01-2 12½ ft. (3.8m) 45V09R
12	-	Gas lens (See chart A)			57Y03-2 25 ft. (7.6m) 45V10R
13	-	Alumina gas lens nozzle (See chart B)	27	WP-17V	Torch body, includes cup gasket and valve stem (70°)
14	-	Lava nozzle (See chart B)	27A	WP-17VN	Torch body, same as WP-17V, with 90° head
15	18CG20	Stubby gasket	28	VS-2	Valve stem, includes 98W77 O-ring
16	-	Stubby collet (See chart A)	29	H-100R	Handle (ribbed, standard)
17	17CB20	Stubby collet body (See chart A)			<b>Cable Repair Kits</b>
18	-	Stubby alumina nozzle (See chart B)			ZCRK17 One-piece power cable repair kit
19	-	Long lava nozzle (See chart B)			ZCRK17-2 Two-piece power cable repair kit
20	105Z57	Power cable adapter			

**CHART A • COLLETS • COLLET BODIES • GAS LENS**

Electrode Diameter	.020 (.5mm)	.040 (1mm)	1/16 (1.6mm)	3/32 (2.4mm)
Collet	10N21	10N22	10N23	10N24
Collet Body	10N29	10N30	10N31	10N32
Gas Lens	45V29	45V24	45V25	45V26
Lg. Dia. Gas Lens	45V0204		45V116	45V64
Stubby Collet	-	10N22S	10N23S	10N24S
Stubby Collet Body	17CB20			

**CHART B • GAS NOZZLES • HPN - HIGH PERFORMANCE NOZZLES AVAILABLE**

SIZE	4	5	6	7	8	10	12	SHORT
Alumina	10N50	10N49	10N48	10N47	10N46	10N45	10N44	-
Alumina Gas Lens	54N18	54N17	54N16	54N15	54N14	-	-	54N19*
Lg. Dia. Gas Lens	-	-	57N75	-	57N74	53N88	53N87	53N89.
Long Alumina	-	10N49L	10N48L	10N47L	-	-	-	-
Long Gas Lens	-	54N17L	54N16L	54N15L	-	-	-	-
Lava	105Z43	105Z42	105Z44	105Z45	08N78	08N79	08N80	-
Long Lava	12N03	105Z60	12N02	105Z61	-	-	-	-
Stubby Alumina	13N08	13N09	13N10	13N11	13N12	13N13	-	-

\*Not recommended for use with high frequency current.