

STAINLESS STEEL WATER COOLERS

Accessories

4/2011 WC0170



6500SS

- 6 gallon (22.7 L) capacity
- 3,625 W (12,370 BTU/hr) @ 7.6 qt/min (7.2 L/min) max cooling capacity

3500SS

- 3 gallon (11.4 L) capacity
- 3,118 W (10,640 BTU/hr) @ 7.6 qt/min (7.2 L/min) max cooling capacity

2500SS

- 2 gallon (7.6 L) tank capacity
- 2,519 W (8,595 BTU/hr) @ 7.6 qt/min (7.2 L/min) max cooling capacity

A rugged solution for reliable cooling performance!

Weldcraft's stainless steel water coolers provide excellent cooling capacity for demanding TIG and MIG welding applications. The water coolers feature a durable and corrosion resistant construction to protect against damage, making them an ideal choice for long-term performance.



6500 model

3500 model

2500 model

Stainless steel coolant reservoir offers corrosion resistance and enhances product durability.

Closed-loop design with radiator reduces coolant temperature and recirculates it through a high-efficiency, fan-cooled heat exchanger to prevent the system from overheating.

Positive-vane-style displacement pumps provide consistent coolant flow and pressure rating to help provide reliable, long-lasting performance.

Factory preset pressure-relief valves operate at 60 PSI and maintain consistent pressure during operation to provide even cooling.

Thermally protected 1/3 HP motor guards against damage due to overheating, ensuring long motor life.

Inlet/outlet torch fittings are compatible with TIG and MIG torches with standard 5/8-18 left-hand fittings.

10 ft (3 m) power cords with plugs provide greater versatility to move the water coolers around the shop.

WELDCRAFT

2741 N. Roemer Road
Appleton, WI 54911 USA

Weldcraft.com

Phone: 1.920.882.6800

Toll-free: 1.800.752.7620 (USA only)

Fax: 1.920.882.6840

E-mail: customerservice@weldcraft.com

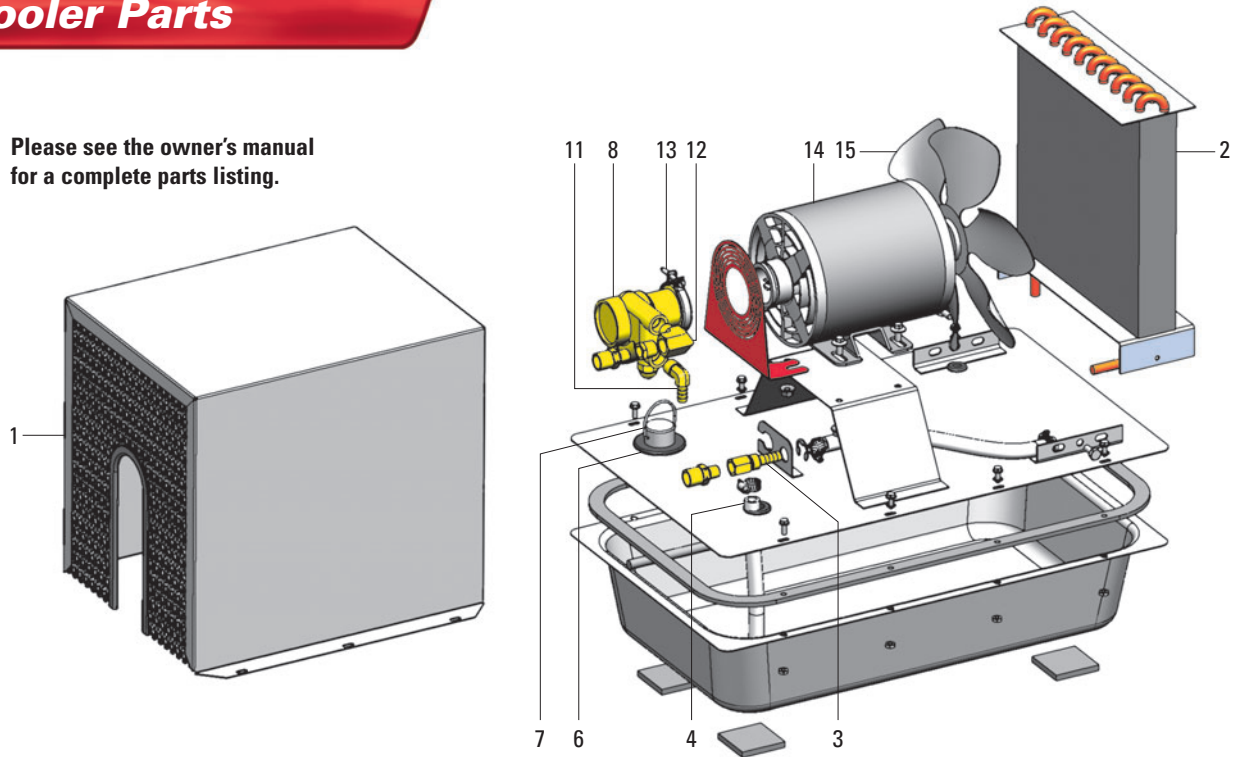
WELD The TIG Welder's Choice
CRAFT

Specifications (Subject to change without notice.)

Model	Input Power	Pump Capacity	Coolant Tank Capacity	Max. Cooling Capacity @ 7.6 qt/min (7.2 L/min)	Dimensions (H x W x D)	Weight
2500SS/2502SS	115 V/6.4 A or 230 V/3.2 A	100 PSI Max., 1.7 GPM (6.4 lpm)	2 gal (7.6 L)	2,519 W (8,595 BTU/hr)	14 x 10-1/2 x 16-7/8 in (356 x 267 x 429 mm)	29.3 lb (13.3 kg)
3500SS/3502SS	Models, 50/60 Hz, Single-Phase		3 gal (11.4 L)	3,118 W (10,640 BTU/hr)	16-3/4 x 13-1/8 x 21-1/4 in (425 x 333 x 540 mm)	38 lb (17.2 kg)
6500SS/6502SS			6 gal (22.7 L)	3,625 W (12,370 BTU/hr)	20-3/4 x 13-1/8 x 21-1/4 in (527 x 333 x 540 mm)	43 lb (19.5 kg)

Cooler Parts

Please see the owner's manual for a complete parts listing.



Parts Listing

Model No.

Item #	Part #	Description	2500SS	2502SS	3500SS	3502SS	CE3502SS	6500SS	6502SS	CE6502SS
1	3583	Cooler Cover								
	1590025	Cooler Cover	■	■	■	■	■	■	■	■
2	2230002	Radiator	■	■						
	3880	Radiator			■	■	■			
	GB0003	Radiator						■	■	■
3	1720028	Adapter, Hose to Pipe	■	■	■	■	■	■	■	■
4	3098G	Hose, 7-1/2 in.	■	■						
	3098B	Hose, 9 in.			■	■	■			
	3098F	Hose, 13 in.						■	■	■
5	1096	115 V Power Cord (not shown)	■		■			■		
	1096-230	230 V Power Cord (not shown)		■		■			■	
6	3889	Grommet	■	■	■	■	■	■	■	■
7	3683	Level Indicator Assembly	■	■	■	■	■	■	■	■
8	5515	Pump (Includes items 9 and 10)	■	■	■	■	■	■	■	■
9	5557	- Replacement Filter Screen (not shown)	■	■	■	■	■	■	■	■
10	2220004	- Coupling (not shown)	■	■	■	■	■	■	■	■
11	3077	Elbow, 3/8 in. N.P.T.	■	■	■	■	■	■	■	■
12	5523	Elbow, Hose 90 Deg	■	■	■	■	■	■	■	■
13	1066	Clamp, Motor to Pump	■	■	■	■	■	■	■	■
14	3429	Motor, 115 V, 50/60 Hz, 1-Phase	■		■			■		■
	3430	Motor, 230 V, 50/60 Hz, 1-Phase		■		■	■		■	■
15	166570	Fan Blade with Set Screw	■	■						
	3000003	Fan Blade with Set Screw			■	■	■	■	■	■

